

---

*Comfort-Aire*®

---

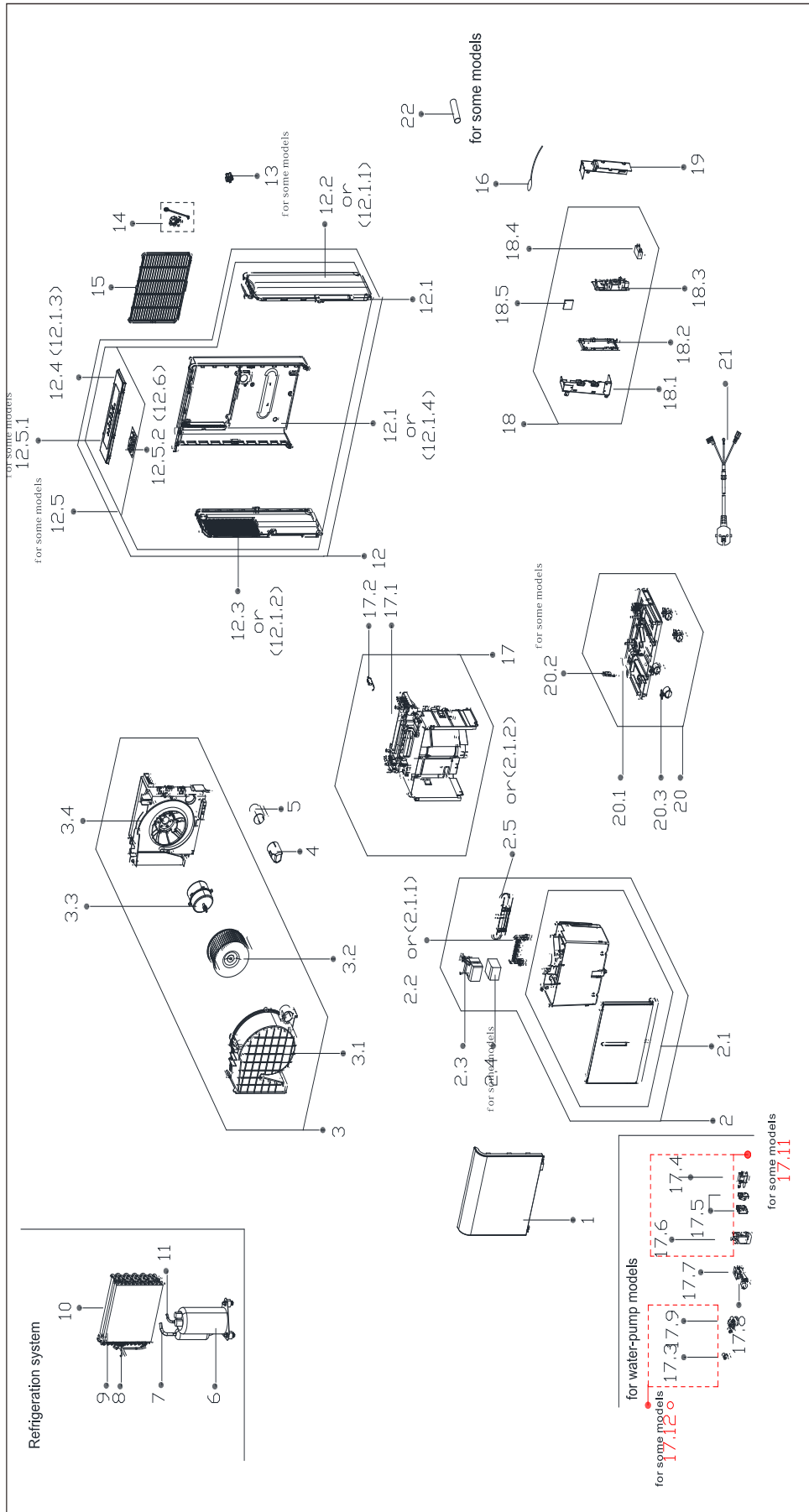
**Portable Dehumidifier:**

BHDP-60A

Parts List

**MARS**®

# EXPLODED VIEW



# REPLACEMENT PARTS

Location	Part Name	Quantity	Part No.
1	Water tank assembly	1	12120100005759
1.1	Water Tank Subassembly	1	12120100005803
1.2	Water tank cover	1	12120100005760
1.3	Handle of water tank	1	12120100005563
1.4	Dobber case	1	12120100000940
2	Front panel assembly	1	12120100A19080
3	Volute shell assembly	1	12120100005763
3.1	Single phase asynchronous motor	1	11002012002516
3.2	Volute shell subassembly	1	12120100005762
3.2.1	Outdoor air inlet grille	1	12220600001042
3.4	Centrifugal Fan	1	12100103000099
3.5	Volute shell subassembly	1	12120100005761
4	Capacitor box	1	12120600001477
5	Chassis Assembly	1	12120100001464
5.1	Power cord subassembly	1	17401202000150
5.2	Chassis Subassembly	1	12120100000144
5.2.1	Universal wheel	4	12620600000019
5.4	Micro Switch	1	17400512000009
6	Fixed speed rotary compressor	1	11103010017615
7	Suction pipe assembly	1	15120100000395
8	Capillary assembly	1	15120100002095
9	Evaporator assembly	1	15820100000678
10	Condenser assembly	1	15820100000675
11	Middle partition board assembly	1	12120100005764
11.5	Partition board subassembly	1	12120100005765
11.5.1	Protecting cover	1	12120100001404
11.6	Micro Switch	1	17400512000009
11.8	Installation bracket	1	12120100000594
11.12	Water Pump installation bracket subassembly	1	12120100005981
11.13	Butt joint subassembly	1	12120100005980
12	Electronic control box subassembly	1	17220100A04324
12.1	Electronic control box	1	12220100000008
12.2	Capacitor of fan motor	1	17400101000499
12.3	Humidity sensor board module(plug-in)(double letter KSH-02BHS scheme)	1	17120100000344
12.4	Dehumidifier main control board subassembly	1	17120100A04093
12.5	Main control board holder	1	12120100001598
13	Discharge pipe assembly	1	15120100000308
14	Pipe Temperature Sensor	1	11201007003441
15	Drain connector of water pump	1	12120100A12852
16	air inlet grille	1	12120100000443
17	Rear panel subassembly	1	12120100005766
18	Top Cover Subassembly	1	12120100A19081
18.1	Top cover	1	12120100000203
18.2	Display box subassembly	1	17120100A00192
19	Cover of electronic control box subassembly	1	12220100000027
23	Capacitor of compressor	1	17400103000060

---

Due to ongoing product improvements, specifications and dimensions are subject to change and correction without notice or incurring obligations. Determining the application and suitability for use of any product is the responsibility of the installer. Additionally, the installer is responsible for verifying dimensional data on the actual product prior to beginning any installation preparations.

Incentive and rebate programs have precise requirements as to product performance and certification. All products meet applicable regulations in effect on date of manufacture; however, certifications are not necessarily granted for the life of a product. Therefore, it is the responsibility of the applicant to determine whether a specific model qualifies for these incentive/rebate programs.

*Comfort-Aire*®

1900 Wellworth Ave., Jackson MI 49203 • Ph. 517-787-2100 • [www.marsdelivers.com](http://www.marsdelivers.com)

